

*Exceptional wood burning heaters
Made on the Isle of Wight since 1972*

charnwood 
AUSTRALIA





INTRO

INTRODUCTION	4
CLEAN BURN HEATING	6
AIRE	10
AIRE 3	12
AIRE 7	14
ARC	16
ARC 7	18
ISLAND	20
ISLAND II	22
ISLAND III	24
BAY	26
BAY BX	28

INNOVATION

RIDDLING GRATE	32
EXTERNAL AIR KITS	32
HEATSHIELDS & PANELS	32
REAR FLUE ADAPTOR	32
QUATTROFLOW® SYSTEM	32
CHOOSING YOUR HEATER	33
COMPARISON CHART	33

SPECIFICATIONS

AIRE	36
ARC	36
ISLAND	37
BAY	37

OTHER PRODUCTS

ACCESSORIES

TOASTING FORK	40
COOKING PLATE	40
HEATER POD	41
FIRE BALL	41
VLAZE	42



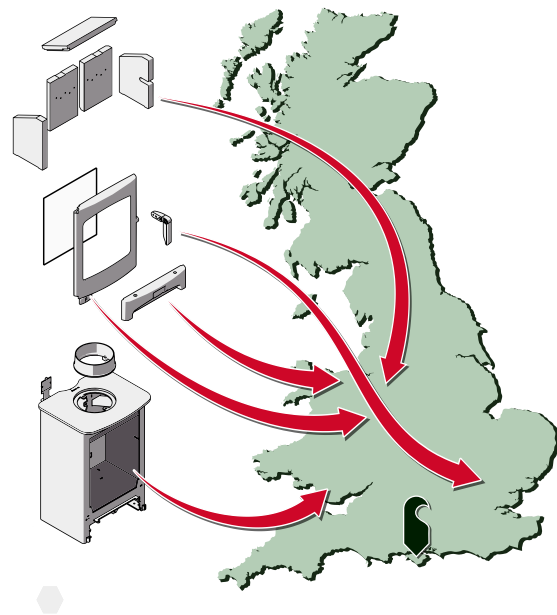


EXCEPTIONAL BRITISH MADE STOVES

CHARNWOOD is a privately owned family business based on the Isle of Wight. Established in 1972, we have become one of the foremost stove companies in Europe, specialising in the manufacture of fine fires and stoves. As a company we believe in taking a strong ethical approach to every area of our business; whether it be in how we design and build our stoves, how we treat our customers or the impact our products have on the environment.

Our stoves are designed and built to last. Almost fifty years after building our first stove there are still many of our original models giving good service as they continue to heat peoples' homes. We believe that this is how it should be; an investment in a Charnwood is more than just a short term relationship.

Our company ethos includes buying, where possible, from local UK based suppliers. Our stoves are designed and built in our own factory on the Isle of Wight and are manufactured using a combination of high-tech precision machinery and skilled hand working. We have employees who have been with us for well over 40 years and have seen the company grow from an operation producing a few hundred stoves a year to one making tens of thousands of units that are sold worldwide. Affirming this achievement we were awarded The Queen's Award For Enterprise: International Trade in 2009.



Part of the success of Charnwood has been due to the loyal following of our customers. We always try to give first class service, to look after our customers and to ensure their needs are met. As a family business, with ten family members working in the company, we recognise the need for personal attention to detail and we always seek to give just that.

CLEAN BURN WOOD FIRE HEATING

There is nothing quite the same as heating your home with a real Charnwood fire. Not only does the ritual of loading a stove give a greater sense of achievement and satisfaction, it provides a warmth that no other energy source can equal.

We at Charnwood have unrivalled in-depth knowledge of real-fire heating and continue to invest a great deal of time and money into innovative heating design and development. Our appliances are a result of our intense research and over the years we have been at the forefront of the new generation of clean burning ultra efficient heaters. Our wood fires are advanced appliances that deliver a reliable burn providing warmth to the whole of your property and all with an amazing degree of control, economy and environmental friendliness. The bodies of our stoves are British built from the best combination of materials for durability and design aesthetics: plate steel, cast iron, fire brick and ceramic glass.

These materials offer the best in strength and versatility with excellent heat retention properties. They also allow the stove to be tightly sealed ensuring optimum control over the burning rate - close down the air supply for a gentle burn or open it right up for an intense, blazing fire. The throat plate on all of our models can be taken out with ease, enabling the cleaning of the flueways and the chimney without the inconvenience of removing other internal fireparts. All our stoves are tested in Australia and comply to AS/NZS 2918:2018 for clearance safety and to AS/NZS 4012/4013 (2014) for emissions and efficiency testing on Australian Hardwoods ensuring the very best in efficiency, safety, design and construction.





CLEAN-BURN AIR-WASH All the wood fires featured in this brochure incorporate the latest clean-burn and air-wash technology. This means when burning your wood fire the volatile by-products emitted by the initial burning are re-ignited and burnt again. This double combustion drastically reduces emissions and ash deposits and delivers even more warmth to your room. Altogether a cleaner home, a cleaner chimney and much cleaner for our environment. In addition to this, the clean-burn airwash also keeps the glass doors beautifully clear, giving you an uninterrupted view of the fire.

10 YEAR GUARANTEE AND OUR NEW 1 YEAR NO-QUIBBLE CONSUMABLES GUARANTEE When purchased through an official, authorised stockist our stoves are covered by a 10 year guarantee. **10 Year Warranty:** The firebox of your Charnwood Stove is guaranteed against material and manufacturing defect for a period of 10 years. **1 Year Warranty:** The consumable items such as bricks, rope seal and associated parts.

VERSATILITY Within the Charnwood range there is a model to suit every home requirement. From the ultimate in contemporary home heating to a classic interior.

ENVIRONMENT Governments across the world are committed to reducing CO₂ emissions and with a Charnwood you too can play a part in this. When you burn wood on a highly efficient heater you reduce the need for other forms of heating and in turn do your bit to save fossil fuels, CO₂ emissions and the planet! A Charnwood also gives you the freedom from dependence on the large energy utilities. At a time when there is increasing concern over stability of supply throughout the world it is nice to know that a Charnwood gives, in a most beautiful way, that certainty of warmth during periods of interrupted supply.



WOOD

HEATING

unrivalled and uncompromised

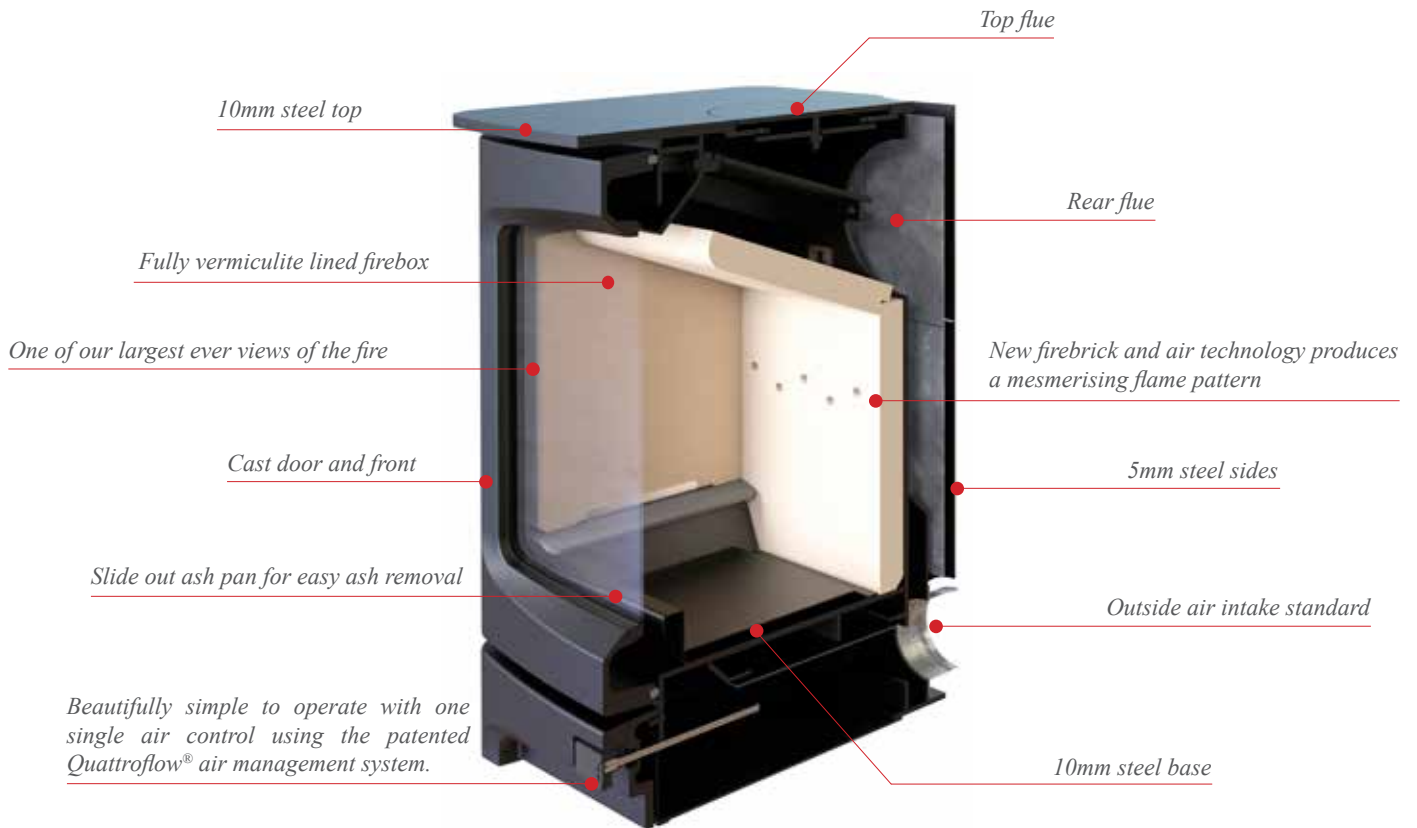


charnwood AIRE

A mesmerising flame pattern with a crystal clear burn

The Charnwood Aire is our latest range of wood heaters. Designed with a very large view of the fire we have also incorporated new and improved burn technology that not only meets and goes beyond the new European 2022 Ecodesign standards but delivers one of our most impressive flame pictures.

The Aire is available in 2 sizes as the Aire 3 and Aire 7, with low or store stand models to choose from.







aire 3

This British made stove is an exciting little addition to our Aire range. The Aire 3 has been designed for smaller spaces, and not just for conventional houses - but perfect for passive cabins, house boats, yurts and other types of tiny homes.



LOW



STORE

- Two Designs - Low or Store Stand
- Top or Rear Flue
- Outside Air standard
- Ash Bed Fire design
- Radiant Heater

- Max heat output 70m² (3.5kW)
- Average heat output 35m² (2.7kW)
- Max efficiency 76%
- Average efficiency 74%
- Emissions 1.3grms

*Opposite: Aire 3 Store Stand in black on VLAZE Hearth & Heat Shield
Above L-R: Aire 3 Low, Aire 3 Store Stand*



aire 7

The Charnwood Aire 7 has been designed for larger rooms or open plan passive areas. Featuring one of our largest ever picture windows, the Aire 7 burns with a mesmerising flame pattern that is second to none.



- Two Designs - Low or Store Stand
- Top or Rear Flue
- Outside Air standard
- Ash Bed Fire design
- Radiant Fire

- Max heat output 130m2 (6.5kW)
- Average heat output 70m2 (4.7kW)
- Max efficiency 75%
- Average efficiency 69%
- Emissions 1.4grms

*Opposite: Aire 7 Low in black on VLAZE Hearth
Above L-R: Aire 7 Low, Aire 7 Store Stand*

charnwood ARC

The stove of a new generation: clean, green and fuel efficient

The Charnwood Arc is a revolutionary wood fire. It simplifies the process of burning wood setting the benchmark for a new generation of modern, clean-burning heaters.

Engineered from the very best combination of materials, the Arc utilises years of research and development into low emission burning.

Beneath the Arc's clean, modern lines lies an innovative combustion system that ensures the unit burns exceptionally clean with outstanding efficiencies of over 70%.

The Arc is available in one size and in two stand variations: low or with a store stand.



CE The Arc has been independently certified to conform to AS/NZS 4012/4013 (2014) and AS/NZS 2918:2018





arc 7

The Charnwood Arc 7 is particularly suited to passive larger rooms or open plan areas and has exceptional clean burn technology. The Arc 7's contemporary design features an inverted flue collar for a seamless flue connection.



- Two Designs - Low or Store Stand
- Top or Rear Flue
- Outside Air standard
- Riddling grate & ashtray
- Convection 'cool to touch' sides

- Max heat output 130m² (7kW)
- Average heat output 70m² (5.5kW)
- Max efficiency 78%
- Average efficiency 70%
- Emissions 0.8grms



charnwood ISLAND

The definitive wood burning heater

The Charnwood Island range sets the definitive standard for clean-burning wood heaters. When this collection was first launched it revolutionised home heating creating the benchmark in environmentally clean-burn, single controlled fires. The result is highly sophisticated simplicity.

The Island range is available in two sizes as the Island II and Island III.



CE All Island heaters have been independently certified to conform to AS/NZS 4012/4013 (2014) and AS/NZS 2918:2018.





Top flue

10mm steel top

Rear flue

Dual cast doors and front

Fully vermiculite lined firebox

The ultimate converting grate for burning your chosen fuel at optimum efficiency

5mm steel sides

A 'cool to touch' handle for safe and easy reloading.

Outside air intake standard

One simple air control - the Quattroflow® - push in to burn slower, pull out to burn faster.

10mm steel base

ISLAND II

The Island II is the smaller wood heater in the Island collection. With a larger view of the fire it still retains its clean-line proportions while producing a comforting heat to the room.



- Dual doors with cool to touch handle
 - Top or Rear Flue
 - Outside Air standard
 - Riddling grate & ashtray
 - Radiant Fire
-
- Max heat output 150m² (7.5kW)
 - Average heat output 70m² (6kW)
 - Max efficiency 77%
 - Average efficiency 69%
 - Emissions 0.8grms



ISLAND III

The Island III is the larger fire in the Island collection. Its majestic proportions make it ideal for larger rooms and open plan areas. Exuding a rated 10kW of heat, this is a wood fire that can take an incredible log length of over half a metre. The Island III offers a spectacular view of the fire; a true wide-screen experience. Optional convection panels are also available.



- Dual doors with cool to touch handle
 - Top or Rear Flue
 - Outside Air standard
 - Riddling grate & ashtray
 - Radiant Fire
-
- Max heat output 180m² (10.5kW)
 - Average heat output 70m² (9kW)
 - Max efficiency 66%
 - Average efficiency 63%
 - Emissions 1.5grms



charnwood BAY

A modern freestanding fire with innovative clean burn technology

The Bay BX is an award winning wood burning stove from Charnwood. The stove features a large landscape window and is incredibly simple to operate with one single air control and a cool-to-touch handle.

This can be installed directly on a concrete hearth, or added on any of the three matching bases for a look to suit any home.



The Bay BX is certified to conform to AS/NZS 4012/4013 (2014) and AS/NZS 2918:2018



Top flue only

10mm steel top

Built from the best combination of cast iron, plate steel and ceramic glass the Bay is designed for easy installation.

Fully vermiculite lined firebox

Cool-to-touch handle and air controls for safe operation and re-fuelling.

Outside air intake standard

10mm steel base

BAY BX

The Bay BX can be installed directly onto a hearth or we offer a choice of three base options to raise the stove up: bench stand, centre stand or store stand.



BENCH



STORE



CENTRE

- Four Designs - Direct on hearth, Bench, Store or Centre Stand
- Top Flue only
- Outside Air standard
- Ash Bed Fire design
- Linea door
- Convection 'cool to touch' sides

- Max heat output 120m² (5.5kW)
- Average heat output 60m² (4kW)
- Max efficiency 71%
- Average efficiency 68%
- Emissions 0.8grms





INNOVATION

SMART HEATING SOLUTIONS

refining the wood burning process



RIDDLING GRATE

The Charnwood riddling grate is the very best grate system on the market. Built into all Arc and Island models, the grate can be altered to ensure the most efficient burning conditions. By operating a lever on the side of the stove with the tool provided, a series of grate bars can be set into a closed, flat bed position (the most efficient way to burn wood) or to an open grate for ultra efficient burning. This grate also acts as a highly effective riddling mechanism, neatly dropping the ash into the wall-to-wall pan below for clean disposal. Because the grate is operated externally, all of these manoeuvres can be carried out with the doors closed and when the stove is fully loaded and under fire.

CLOSED POSITION for wood & peat - allowing a bed of ash to build up to let the air flow across the fire.



OPEN POSITION for smokeless fuels - allowing the air to flow up through the fuel. In this position the open bars facilitate easy ash removal whether burning wood or solid fuel products.



OPTIONAL EXTERNAL AIR KITS

The external air kits are a range of devices that enable an outside air supply to be channelled directly into your Charnwood. As well as providing further comfort and operational efficiency for your wood heater, our air kits help overcome issues where the room requires an additional air supply. They are available for all Aire, Arc, Bay and Island.



HEAT SHIELDS AND CONVECTION PANELS

All Charnwood wood heaters are fitted with Charnwood's rear heat shield standard. This steel heat shield allows rear wall clearances to be reduced.



TOP OR REAR FLUE

The Aire, Island and Arc models all have the option of being rear or vertically flued.

Also available as another option is a vertical rear flue adaptor which enables you to position the stove further away from the wall behind.



This will add a depth to the stove of between 115 -196mm depending on the model.

QUATTROFLOW® AIR MANAGEMENT SYSTEM

This is a revolutionary air management system patented by Charnwood and used on the Aire, Arc, Island and Bay models. Using a number of air chambers the single control introduces the right amount of air into just the right places for ultra efficient burning and optimum control: pull out to increase the burning rate - push in to slow it down. An outside air supply can be channelled directly into the stove through the rear of the Quattroflow® box.

1 PRIMARY air vent: the main control for faster/ slower burning

2 SECONDARY air vent for clean glass and double combustion

3 TERTIARY air vent for optimum combustion efficiency

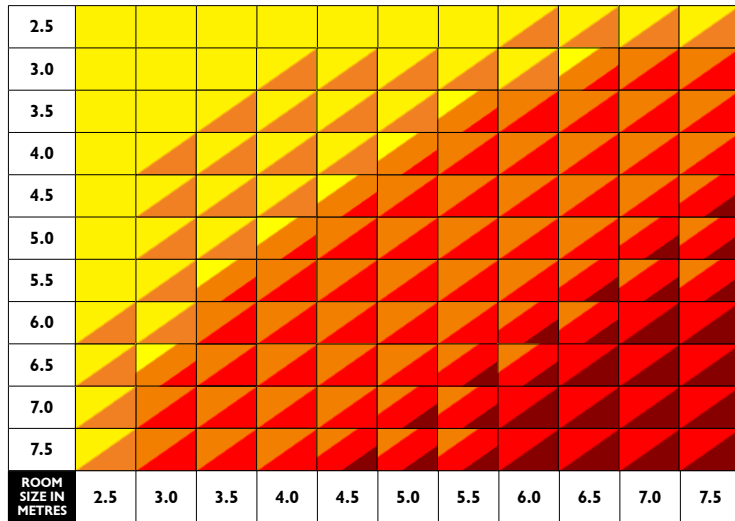


CHOOSING YOUR charnwood

When choosing your wood heater it is important to pick the right size for your room.

RATED OUTPUT: This is the kilowatt output achieved in the Australian / NZ standard tests (AS/NZS 4012/4013 (2014) and AS/NZS 2918:2018). Use the chart as an initial guide in selecting the most suitable Charnwood wood heater for your room. It is based on an outside temperature of -1°C and a ceiling height of 2.4 metres.

PLEASE NOTE: This is an approximate guide only.



charnwood COMPARISON CHART

	AIRE 3	AIRE 7	ARC 7	BAY BX	ISLAND II	ISLAND III
Radiant	Standard	Standard	Standard	Standard	Standard	Standard
Convection	Standard	Standard	Standard	Standard	Standard	Standard
Quattroflow® / Single control	Standard	Standard	Standard	Standard	Standard	Standard
Vertical rear flue adaptor	Optional	Optional	Optional	Optional	Optional	Optional
External air kit	Optional	Optional	Optional	Optional	Optional	Optional
Riddling grate & ash tray	Standard	Standard	Standard	Standard	Standard	Standard
Cool to touch handle	Standard	Standard	Standard	Standard	Standard	Standard
Firebrick lining	Standard	Standard	Standard	Standard	Standard	Standard
Removable baffle	Standard	Standard	Standard	Standard	Standard	Standard
Double doors	Standard	Standard	Standard	Standard	Standard	Standard
Efficiency (%)	74	69	70	68	69	63
Emissions (g/kg)	1.3	1.4	0.8	0.8	0.8	1.5
Output to room (kW)	3.5	6.5	7	5.5	7.5	10.5



A dimly lit, classic living room. In the foreground, a plush teal velvet sofa is positioned, showing its curved back and dark wooden legs. To the left, a dark wood sideboard with multiple drawers and a cabinet door stands against the wall. Above the sideboard, a large mirror reflects the room, showing a person in a red jacket and a lamp. The wall behind the sideboard is decorated with three small framed pictures. To the right, a dark wood door is set in a white frame. A chandelier with lit candles hangs in the upper right corner. The floor is made of dark, wide wooden planks.

SPECIFICATIONS

FIRES, FACTS AND FIGURES

the ins and outs of our stoves



Island III © The Pig at Harlyn Bay, Jake Eastham

AIRE 3

Radiant

RATED OUTPUT

Max **3.5kW** Average **2.7kW** (range 35-70m2)

EFFICIENCY

74%

FLUE OUTLET

Top or Rear **125mm (5")** dia.

MAX LOG LENGTH

250mm (10")

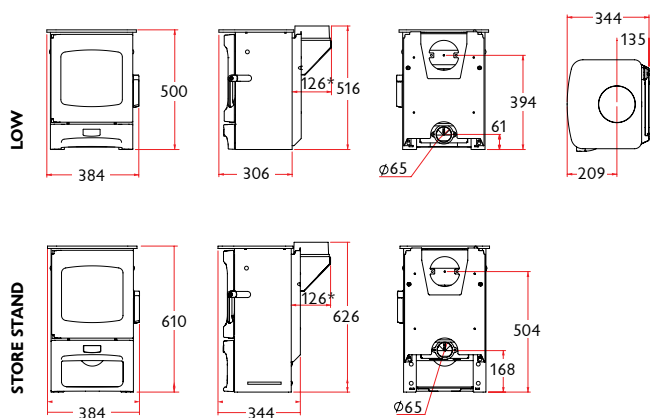
WEIGHT

71KG

MIN DISTANCE TO COMBUSTIBLES

Side: **325mm** Rear: **75mm** Corner: **200mm**

Hearth front of unit: **300mm**



Aire 7 on Store Stand

AIRE 7

Radiant

RATED OUTPUT

Max **6.5kW** Average **4.7kW** to room (range 70-130m2)

EFFICIENCY

69%

FLUE OUTLET

Top or Rear **150mm (6")** dia.

MAX LOG LENGTH

390mm (15")

WEIGHT

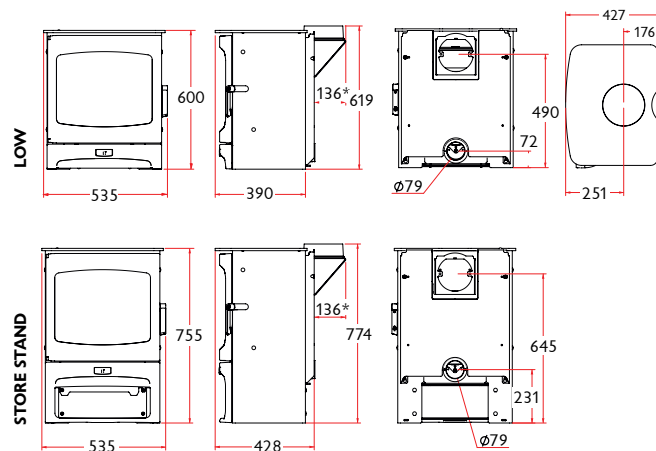
117KG Low, **135KG** Store Stand

MIN DISTANCE TO COMBUSTIBLES

Side: **425mm** Rear: **100mm** Corner: **250mm**

Hearth front of low unit: **490mm**

Hearth front of store stand unit: **438mm**



ARC 7

Convection

RATED OUTPUT

Max **6.9kW** Average **5.4kW** to room (range 70-130m2)

EFFICIENCY

70%

FLUE OUTLET

Top or Rear **150mm (6")** dia.

MAX LOG LENGTH

325mm (12.5")

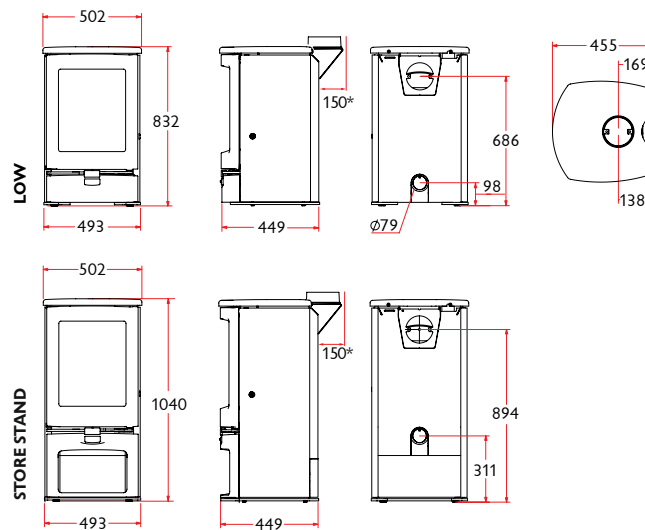
WEIGHT

150KG Low, **170KG** Store Stand

MIN DISTANCE TO COMBUSTIBLES

Side: **400mm** Rear: **100mm** Corner: **275mm**

Hearth front of unit: **420mm**



* Vertical rear flue adapter is an option

ISLAND II

Radiant

RATED OUTPUT

Max 7.5kW Average **5.9kW** to room (range 70-150m²)

EFFICIENCY

69%

FLUE OUTLET

Top or Rear **150mm (6")** dia

MAX LOG LENGTH

480 mm (19")

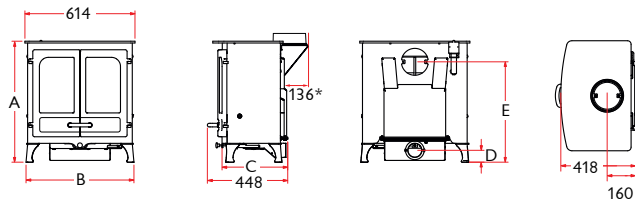
WEIGHT

133KG

MIN DISTANCE TO COMBUSTIBLES

Side: **450mm** Rear: **100mm** Corner: **275mm**

Hearth front of unit: **470mm**



ISLAND III

Radiant

RATED OUTPUT

Max 10.6kW Average **8.7kW** to room (range 70-180m²)

EFFICIENCY

63%

FLUE OUTLET

Top or Rear **178mm (7")** dia

MAX LOG LENGTH

611mm (24")

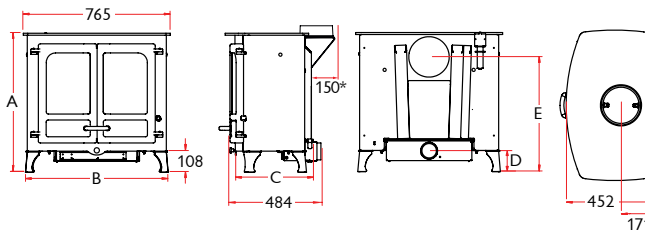
WEIGHT

180KG

MIN DISTANCE TO COMBUSTIBLES

Side: **525mm** Rear: **225mm** Corner: **350mm**

Hearth front of unit: **300mm**



BAY BX

Convection

RATED OUTPUT

Max 5.5kW Average **4.2kW** to room (range 60-120m²)

EFFICIENCY

68%

FLUE OUTLET

Top only **150mm (6")** dia.

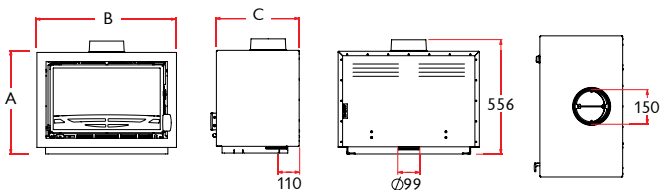
MAX LOG LENGTH




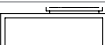
463mm (18")

MIN DISTANCE TO COMBUSTIBLES

Side: **200mm** Rear: **100mm** Corner: **70mm**

Hearth front of unit: **300mm**



		A	B	C	WEIGHT
FREESTANDING		500	688	403	103KG
STORE STAND <i>(inc. Bay BX unit)</i>		1000	688	500	126KG
CENTRE STAND <i>(inc. Bay BX unit)</i>		910	688	403	136KG
BENCH STAND <i>(inc. Bay BX unit)</i>		1000	1300	500	139KG



Island III

* Vertical rear flue adapter is an option



OTHER PRODUCTS

ACCESSORIES, VLAZE
cooking & vitreous enamel



SOUND

GREEN

WAY

ROBEY ROAD NW8
CITY OF WEST

Colorful Easter eggs in various colors including light blue, yellow, blue, orange, green, pink, and red.

charnwood ACCESSORIES

TOASTING FORK

The perfect gift for any fanatic.

The Charnwood Toasting Fork is a neat, highly effective stove accessory designed for use on all our models.

Simply place the magnetic holder onto the stove top and suspend the fork in front of the glass for perfectly toasted bread, muffins or crumpets. The fork and holder is British made from stainless steel with a turned beech handle.



COOKING PLATE

The Charnwood Cooking Plate is a cast iron plate that simply replaces the flue blanking plate on a standard Charnwood heater to create a highly effective hot plate for cooking.

The Cooking Plate is ideal for wood heaters installed into open-plan living areas where the boundaries of cooking, dining and lounging are merged.

The set includes cast iron trivets for versatility when cooking. The plate can fit multiple saucepans and suits most Charnwood models.

Please note: the heater will need to be installed using the rear outlet to allow the cooking plate to fit on the top.



HEATER POD

The Charnwood Heater Pod is a freestanding hearth and enclosure designed for use with our Aire 3 wood heater. The Pod is a quick and easy way to create an instant fireplace, so is perfectly suited to cabins, yurts, houseboats and other types of tiny home accommodation.

The Charnwood Heater Pod can be safely placed 50mm away from combustible materials. It is finished in a durable black powder coat but we also offer the option of a Vlaze 'Splatter' vitreous enamel to further enhance the enclosure (pictured right).



FIRE BALL

The Charnwood Fire Ball is a self-assembly, sculptural outdoor fire pit with a rustic finish.

This iconic piece is cut from mild steel and supplied as a boxed flat pack kit making it the perfect present for someone who enjoys a small project. The satisfaction of building this product is all part of the experience. All that is required is an hour of your time, a pair of pliers, gloves and a hammer.

The Charnwood Fire Ball will oxidise over time turning a rich, auburn colour blending into the natural surroundings. This is all part of the design and character of the product.





VLAZE HEAT SHIELDS

*Reduce any rear
clearance by up to 80%*

VLAZE HEARTH

VLAZE

Luxurious vitreous enamel for the fireplace

VLAZE offer a range of vitreous enamel hearths and wall mounted heat shields designed specifically to reduce the clearance on any wood heater. British made by our sister company AJ Wells & Sons, the exceptional surface finish is created by fusing powdered glass to steel at temperatures in excess of 800°C. The result is a luxurious, vibrant glaze that boasts excellent thermal properties, does not crack, distort or discolour when exposed to the heat of the stove and wipes clean. The VLAZE process and finish is identical to that of which AJ Wells & Sons use to manufacture the iconic signage and architectural cladding for The London Underground.

VLAZE HEARTHES create a clean, modern platform on which to stand your wood heater. An excellent alternative to a standard tile or marble hearth they can be used on their own, or alongside our heat shields for a seamless floor to wall solution. Each hearth features a smooth radius edge and is insulated with fire rated fibreboard to take the heat and weight of the wood heater while still being light to handle. The plates are available in 2 sizes, 1,050mm x 1,050mm and 1,200mm x 1,200mm to suit most heaters and a 12mm depth.

VLAZE WALL MOUNTED HEAT SHIELDS are designed to be placed behind a wood heater. When installed the shield reduces the heaters rear clearance to the face of the panel by up to 80%. The vitreous enamel panel features a dual skin that provides thermal protection and an effective convection system. Using a rail mounted system, they are quick and easy to install. The heat shield is available 1,050mm wide x 1,200mm high to suit all our models.

The heat shields and hearths plates are available in a choice of three finishes including our standard Black, Off White Crackle and a Black & White Splatter.



*Proudly distributed by Pivot Stove
& Heating through an approved
reseller network. For more infor-
mation, current product updates,
or to find your closest reseller visit
www.pivotstove.com.au*



*Visit www.charnwood.com
for instructions on how to
download CHARNWOOD
LIVE FIRE. Then scan
this page with your device
to view 3D stoves in
augmented reality.*

CHARNWOOD
LIVE FIRE[®]